



KBR2D

Kiosk Barcode Reader

KBR2D is the family of barcode scanners designed for self-service kiosks, ATMs, price checkers, healthcare and for any OEM application, also available in a plastic case version (KBR2D-C). KBR2D is a high-performance, high-volume omnidirectional scanner, capable of quickly and accurately reading any 1D and 2D barcodes, whether printed on paper (badges, receipts, health bracelets) or displayed on the screen of a smartphone or of a tablet. KBR2D scanners are based on CMOS technology for optimal image sensitivity and dynamic range. KBR2D integration is quick and easy thanks to several mounting options.

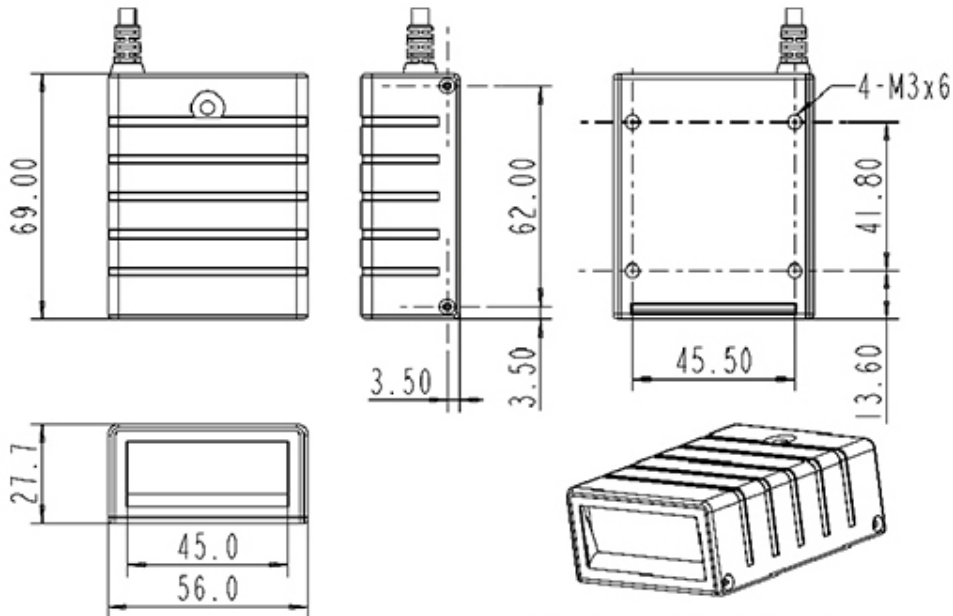


CARACTERÍSTICAS

- **Easily integrated** with various OEM applications
- 1D and 2D barcode scanning
- **Omnidirectional scanning:** no need to align barcode and scanner, ensuring user comfort and protecting productivity
- **Long distance reading** from 3 to 28 cm without problems even in direct sunlight (100,000 lux)
- **Reading barcodes on screens** of smartphones or tablets even with brightness reduced to 25/30%
- Red colored pointer for precise aiming and optimal barcode acquisition
- **Flexibility:** various external mounting options or internal screw holes
- **Integrated decoder**
- **Custom ScannerSet** configuration software

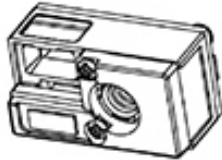
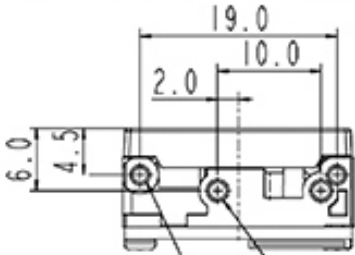
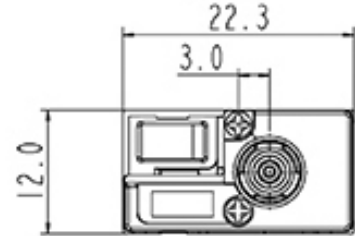
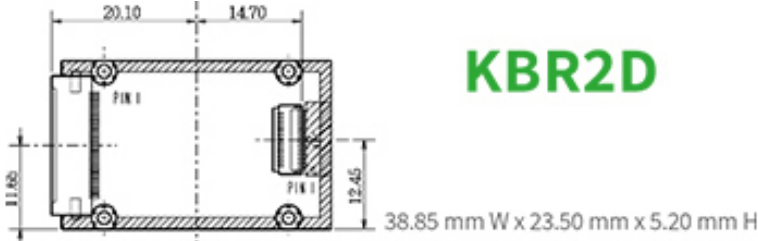
DIMENSION:

KBR2D-C



56 mm W x 69 mm D x 28 mm H

KBR2D



2- \varnothing 1.65 (screw hole)
2- \varnothing 1.4 (screw hole) unit : mm

FICHA TÉCNICA

	KBR2D-C	KBR2D
GENERAL		
Interface	USB-HID(or Virtual COM port)	RS232/USB-HID(or Virtual COM port)
Barcodes Supported (1D)	UPC-A, UPC-E, EAN-8/JAN-8, EAN-13/JAN-13, Code 39, Code 128, Interleaved 25, Industrial 25, Matrix 25, Codabar/NW7, Code 93, China Post, MSI/Plessey, Telepen, GS1 Databar Omni-directional, GS1 Databar Limited, GS1 Databar Expanded	
Barcodes Supported (2D)	Data Matrix, PDF 417, QR Code, Micro QR Code, Dot Code DISABLED BY DEFAULT: Aztec, Micro PDF 417, Han Xin Code, GM Code	
ELECTRICAL		
Supply Voltage	DC+5V±5%	
Current Draw		
Stand By (Typ.)	40mA ±10%	
Operation (Typ.)	380mA ±10%	
PERFORMANCE		
Light Source	White light LED	
Sensor	1280 (H) x 800 (V) pixels	
Field of View	Horizontal – 55°, Vertical – 35°	
Scan Rate	60 fps (at full resolution)	
Reading Distance	From 3 to 28 cm	
Print Contrast Ratio	PCS30%@5mil/0.127 mm	
Resolution	3mil/0.076 mm@PCS90% Code39, 8mil/0.2 mm@PCS90% QRCode	
Reading Angle	Test Conditions: Code 39, 10mil/0.25 mm, PCS90%	
Pitch Angle/Skew Tolerance	5°~60° (±5°)	
Ambient Light	Works in any lighting conditions from 0 to 100,000 lux	
Roll	360°	
Indicator	Good read beep	
ENVIRONMENTAL		
Operating Temperature	0 °C to 50 °C	
Storage Temperature	-20 °C to 70 °C	
Relative Humidity	20% to 95% (Non-condensing)	
RELIABILITY		
Life Time MTBF (calculated)	50,000 hours	
Thermal Shock		
High Temp.	60°C	
Low Temp.	-20 °C	
Cycle Time	30 minutes for high temp./30 minutes for low temp.	
Mechanical Shock	2000G, 0.7ms, half sinus, 3axes	
Vibration	8G r.m.s, from 10 to 500Hz, 2 hours per axis, 3 axes	

KBR2D-C

KBR2D

PHYSICAL

Weight

Reader 106 g (optical + board + case) 28 g (optical + board)

USB cable 51 g -

Material Polycarbonate -

Dimension 56 mm W x 69 mm D x 28 mm H 38.85 mm W x 23.50 mm x 5.20 mm H

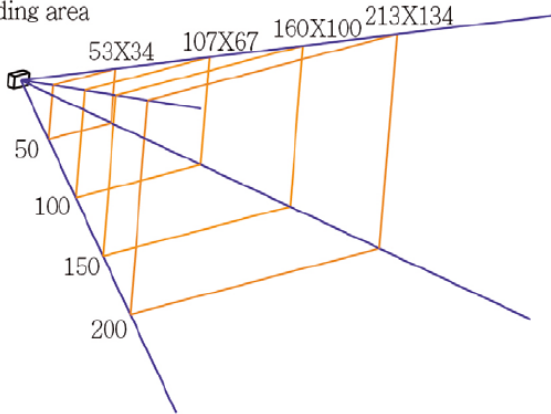
READING RANGE

Barcode mil/Depth of Field mm

KBR2D-C

KBR2D

Reading area



3mil Code39	50~90 mm	3mil Code39	60~100 mm
4mil Code39	45~100 mm	4mil Code39	55~110 mm
10mil Code39	30~220 mm	10mil Code39	50~220 mm
20mil Code39	30~220 mm	20mil Code39	50~300 mm
20mil QR Code	30~280 mm	20mil QR Code	50~300 mm
20mil QR Code	30~210 mm	20mil QR Code	50~200 mm
20mil PDF417	30~120 mm	20mil PDF417	50~120 mm

Note: The test is under ambient light 700 ~ 800 Lux.

The difference in depth of field between the two models depends on the fact that in the KBR2D-C model the optics are housed in a frame.

MODELOS



9C3FH01000001

KIOSK BARCODE SCAN 1D/2D
OPEN FRAME KBR2D

9C3FH01000002

KIOSK BARCODE SCAN 1D/2D
COVERED KBR2D-C

Via Berettine, 2 - 43010 Fontevivo PR - N° IVA: IT02498250345 - TEL.: +39 0521 680111 - FAX: +39 0521 610701 - CÓDIGO ÚNICO: 8RQN7AZ

Los datos técnicos de este sitio no son vinculantes y pueden modificarse sin aviso previo.

Última actualización: 14 marzo 2025