



## KBR2D

### Kiosk Barcode Reader

KBR2D is the family of barcode scanners designed for self-service kiosks, ATMs, price checkers, healthcare and for any OEM application, also available in a plastic case version (KBR2D-C). KBR2D is a high-performance, high-volume omnidirectional scanner, capable of quickly and accurately reading any 1D and 2D barcodes, whether printed on paper (badges, receipts, health bracelets) or displayed on the screen of a smartphone or of a tablet. KBR2D scanners are based on CMOS technology for optimal image sensitivity and dynamic range. KBR2D integration is quick and easy thanks to several mounting options.

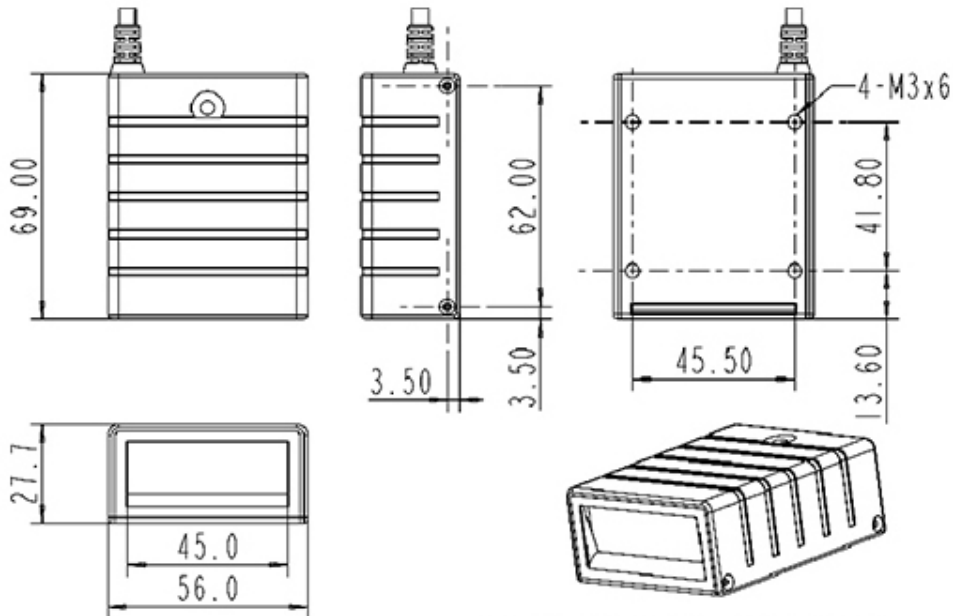


## CARACTÉRISTIQUES

- **Easily integrated** with various OEM applications
- 1D and 2D barcode scanning
- **Omnidirectional scanning:** no need to align barcode and scanner, ensuring user comfort and protecting productivity
- **Long distance reading** from 3 to 28 cm without problems even in direct sunlight (100,000 lux)
- **Reading barcodes on screens** of smartphones or tablets even with brightness reduced to 25/30%
- Red colored pointer for precise aiming and optimal barcode acquisition
- **Flexibility:** various external mounting options or internal screw holes
- **Integrated decoder**
- **Custom ScannerSet** configuration software

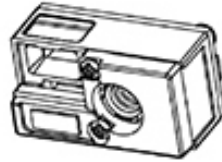
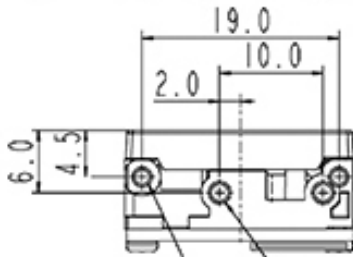
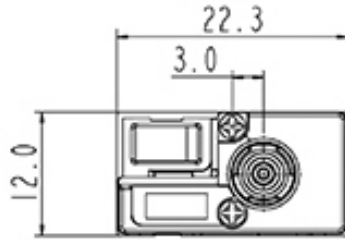
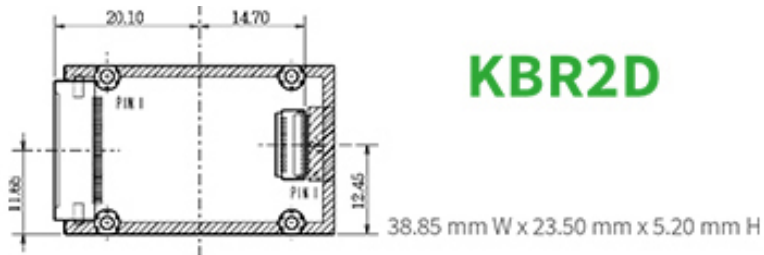
## DIMENSION:

### KBR2D-C



56 mm W x 69 mm D x 28 mm H

## KBR2D



2- $\varnothing$ 1.65 ( screw hole )  
2- $\varnothing$ 1.4 ( screw hole ) unit : mm

## FICHE TECHNIQUE

	KBR2D-C	KBR2D
<b>GENERAL</b>		
<b>Interface</b>	USB-HID(or Virtual COM port)	RS232/USB-HID(or Virtual COM port)
<b>Barcodes Supported (1D)</b>	UPC-A, UPC-E, EAN-8/JAN-8, EAN-13/JAN-13, Code 39, Code 128, Interleaved 25, Industrial 25, Matrix 25, Codabar/NW7, Code 93, China Post, MSI/Plessey, Telepen, GS1 Databar Omni-directional, GS1 Databar Limited, GS1 Databar Expanded	
<b>Barcodes Supported (2D)</b>	Data Matrix, PDF 417, QR Code, Micro QR Code, Dot Code DISABLED BY DEFAULT: Aztec, Micro PDF 417, Han Xin Code, GM Code	
<b>ELECTRICAL</b>		
<b>Supply Voltage</b>	DC+5V±5%	
<b>Current Draw</b>		
<b>Stand By (Typ.)</b>	40mA ±10%	
<b>Operation (Typ.)</b>	380mA ±10%	
<b>PERFORMANCE</b>		
<b>Light Source</b>	White light LED	
<b>Sensor</b>	1280 (H) x 800 (V) pixels	
<b>Field of View</b>	Horizontal – 55°, Vertical – 35°	
<b>Scan Rate</b>	60 fps (at full resolution)	
<b>Reading Distance</b>	From 3 to 28 cm	
<b>Print Contrast Ratio</b>	PCS30%@5mil/0.127 mm	
<b>Resolution</b>	3mil/0.076 mm@PCS90% Code39, 8mil/0.2 mm@PCS90% QRCode	
<b>Reading Angle</b>	Test Conditions: Code 39, 10mil/0.25 mm, PCS90%	
<b>Pitch Angle/Skew Tolerance</b>	5°~60° (±5°)	
<b>Ambient Light</b>	Works in any lighting conditions from 0 to 100,000 lux	
<b>Roll</b>	360°	
<b>Indicator</b>	Good read beep	
<b>ENVIRONMENTAL</b>		
<b>Operating Temperature</b>	0 °C to 50 °C	
<b>Storage Temperature</b>	-20 °C to 70 °C	
<b>Relative Humidity</b>	20% to 95% (Non-condensing)	
<b>RELIABILITY</b>		
<b>Life Time MTBF (calculated)</b>	50,000 hours	
<b>Thermal Shock</b>		
<b>High Temp.</b>	60°C	
<b>Low Temp.</b>	-20 °C	
<b>Cycle Time</b>	30 minutes for high temp./30 minutes for low temp.	
<b>Mechanical Shock</b>	2000G, 0.7ms, half sinus, 3axes	
<b>Vibration</b>	8G r.m.s, from 10 to 500Hz, 2 hours per axis, 3 axes	

## KBR2D-C

## KBR2D

### PHYSICAL

#### Weight

**Reader** 106 g (optical + board + case) 28 g (optical + board)

**USB cable** 51 g -

**Material** Polycarbonate -

**Dimension** 56 mm W x 69 mm D x 28 mm H 38.85 mm W x 23.50 mm x 5.20 mm H

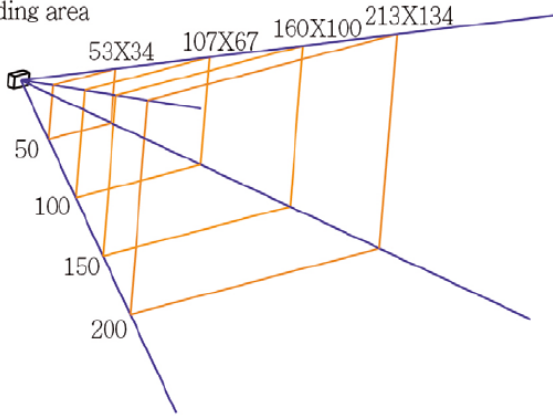
### READING RANGE

#### Barcode mil/Depth of Field mm

#### KBR2D-C

#### KBR2D

Reading area



<b>3mil Code39</b>	50~90 mm	<b>3mil Code39</b>	60~100 mm
<b>4mil Code39</b>	45~100 mm	<b>4mil Code39</b>	55~110 mm
<b>10mil Code39</b>	30~220 mm	<b>10mil Code39</b>	50~220 mm
<b>20mil Code39</b>	30~220 mm	<b>20mil Code39</b>	50~300 mm
<b>20mil QR Code</b>	30~280 mm	<b>20mil QR Code</b>	50~300 mm
<b>20mil PDF417</b>	30~210 mm	<b>20mil PDF417</b>	50~200 mm
	30~120 mm		50~120 mm

Note: The test is under ambient light 700 ~ 800 Lux.

The difference in depth of field between the two models depends on the fact that in the KBR2D-C model the optics are housed in a frame.

### MODÈLES



#### 9C3FH01000001

KIOSK BARCODE SCAN 1D/2D  
OPEN FRAME KBR2D

#### 9C3FH01000002

KIOSK BARCODE SCAN 1D/2D  
COVERED KBR2D-C

Via Berettine, 2 - 43010 Fontevivo PR - NUMÉRO DE TVA : IT02498250345 - TÉL : +39 0521 680111 - FAX : +39 0521 610701 - CODE UNIVOQUE: 8RQN7AZ

Les données techniques de ce site ne sont pas contraignantes et peuvent être modifiées sans préavis.

Dernière mise à jour : 14 mars 2025