



KBR2D

Kiosk Barcode Reader

KBR2D is the family of barcode scanners designed for self-service kiosks, ATMs, price checkers, healthcare and for any OEM application, also available in a plastic case version (KBR2D-C). KBR2D is a high-performance, high-volume omnidirectional scanner, capable of quickly and accurately reading any 1D and 2D barcodes, whether printed on paper (badges, receipts, health bracelets) or displayed on the screen of a smartphone or of a tablet. KBR2D scanners are based on CMOS technology for optimal image sensitivity and dynamic range. KBR2D integration is quick and easy thanks to several mounting options.

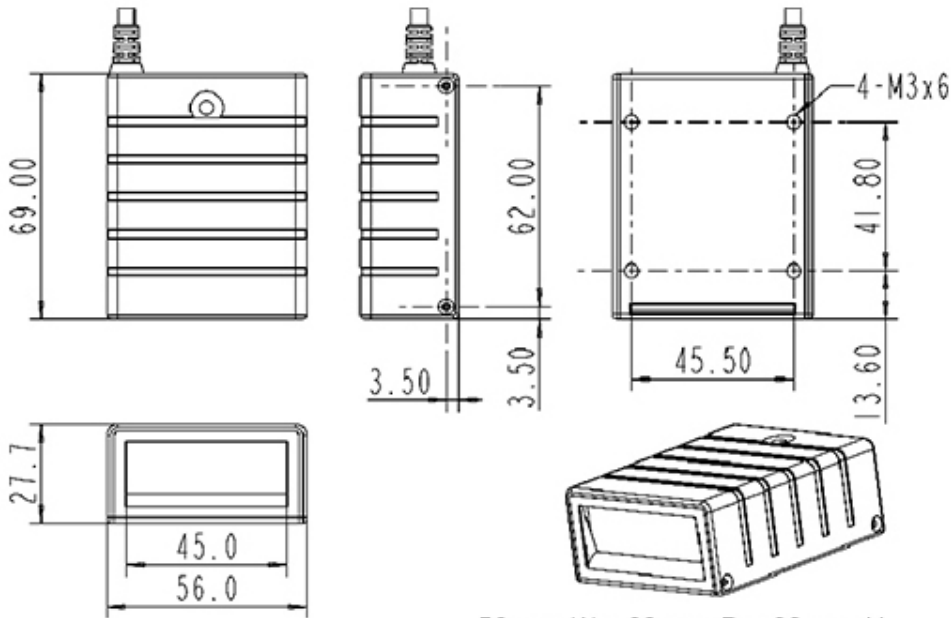


????????????????

- **Easily integrated** with various OEM applications
- 1D and 2D barcode scanning
- **Omnidirectional scanning:** no need to align barcode and scanner, ensuring user comfort and protecting productivity
- **Long distance reading** from 3 to 28 cm without problems even in direct sunlight (100,000 lux)
- **Reading barcodes on screens** of smartphones or tablets even with brightness reduced to 25/30%
- Red colored pointer for precise aiming and optimal barcode acquisition
- **Flexibility:** various external mounting options or internal screw holes
- **Integrated decoder**
- **Custom ScannerSet** configuration software

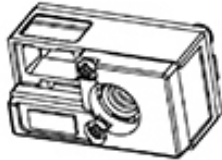
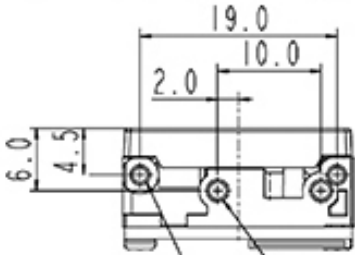
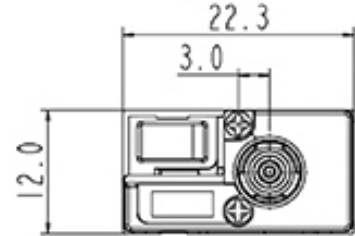
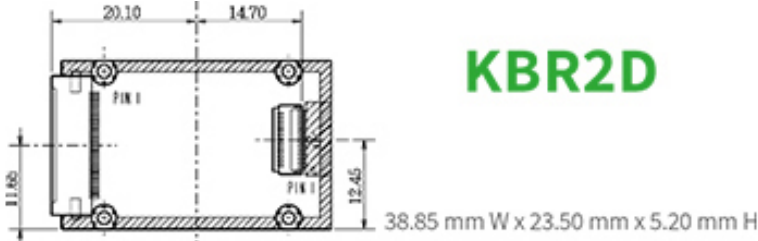
DIMENSION:

KBR2D-C



56 mm W x 69 mm D x 28 mm H

KBR2D



2- ϕ 1.65 (screw hole)
2- ϕ 1.4 (screw hole) unit : mm

????????????? ?????????

KBR2D-C

KBR2D

GENERAL

Interface	USB-HID(or Virtual COM port)	RS232/USB-HID(or Virtual COM port)
Barcodes Supported (1D)	UPC-A, UPC-E, EAN-8/JAN-8, EAN-13/JAN-13, Code 39, Code 128, Interleaved 25, Industrial 25, Matrix 25, Codabar/NW7, Code 93, China Post, MSI/Plessey, Telepen, GS1 Databar Omni-directional, GS1 Databar Limited, GS1 Databar Expanded	
Barcodes Supported (2D)	Data Matrix, PDF 417, QR Code, Micro QR Code, Dot Code DISABLED BY DEFAULT: Aztec, Micro PDF 417, Han Xin Code, GM Code	

ELECTRICAL

Supply Voltage	DC+5V±5%
Current Draw	
Stand By (Typ.)	40mA ±10%
Operation (Typ.)	380mA ±10%

PERFORMANCE

Light Source	White light LED
Sensor	1280 (H) x 800 (V) pixels
Field of View	Horizontal – 55°, Vertical – 35°
Scan Rate	60 fps (at full resolution)
Reading Distance	From 3 to 28 cm
Print Contrast Ratio	PCS30%@5mil/0.127 mm
Resolution	3mil/0.076 mm@PCS90% Code39, 8mil/0.2 mm@PCS90% QRCode
Reading Angle	Test Conditions: Code 39, 10mil/0.25 mm, PCS90%
Pitch Angle/Skew Tolerance	5°~60° (±5°)
Ambient Light	Works in any lighting conditions from 0 to 100,000 lux
Roll	360°
Indicator	Good read beep

ENVIRONMENTAL

Operating Temperature	0 °C to 50 °C
Storage Temperature	-20 °C to 70 °C
Relative Humidity	20% to 95% (Non-condensing)

RELIABILITY

Life Time MTBF (calculated)	50,000 hours
Thermal Shock	
High Temp.	60°C
Low Temp.	-20 °C
Cycle Time	30 minutes for high temp./30 minutes for low temp.
Mechanical Shock	2000G, 0.7ms, half sinus, 3axes
Vibration	8G r.m.s, from 10 to 500Hz, 2 hours per axis, 3 axes

